

# Industrial Terminal LK-200



- Industrial terminal in stainless steel
- LCD graphic display
- High sensitivity keyboard
- Optional weighing module with up to 200 samples per second
- Used for controlling machines and production recording stations

**LENKE**

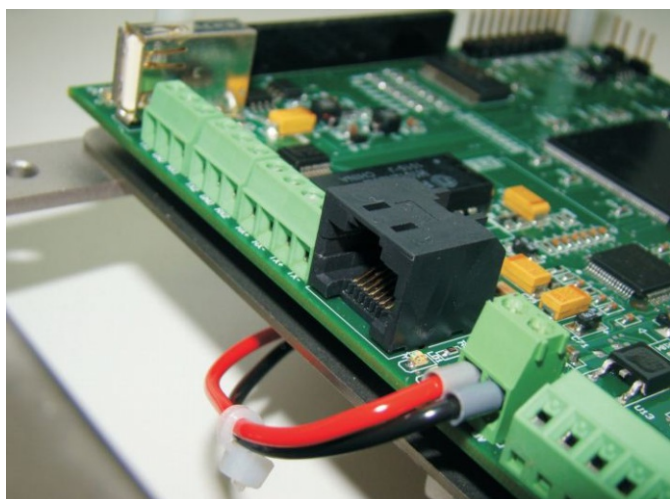
[www.lenke.com.br](http://www.lenke.com.br)  
[www.lenkeautomacao.com.br](http://www.lenkeautomacao.com.br)

# Industrial Terminal LK-200

# LENKE

The LK200 industrial terminal was developed to meet industry's need of having a strong terminal installed in the manufacturing area.

Made of stainless steel, it has a highly resistant touch-sensitive keyboard and works in the most aggressive conditions existent in productive environments, such as dust and humidity.



Lenke LK200 has a 32bits processor with 72MHz clock and works as a terminal for general purpose data input programmable in C. A version with weighing module for working with dosing system and dynamic or static weighing is also available.

## Technical Information

### Construction

Protection grade:	Stainless steel, IP-67, armored, water resistant.
Assemblage:	Adjustable panel, support for tables and wall fixation.

### Hardware

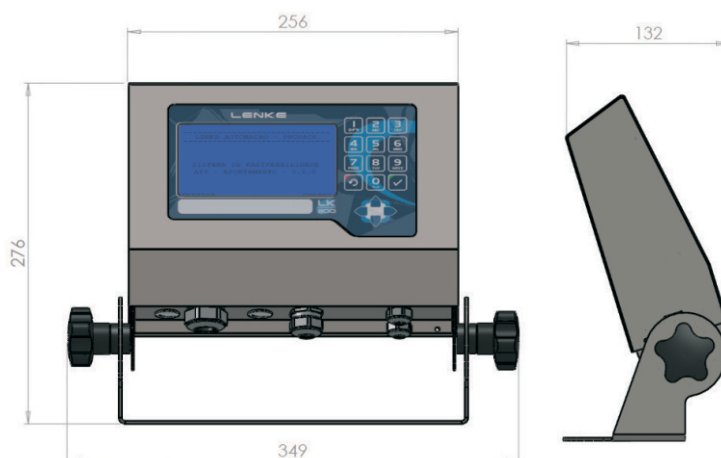
Programming language:	C in Eclipse environment
RAM memory:	512Kb (processor)
Aux. memory:	2Mb + 128Kb
Display:	15 lines x 40 columns (graphic)

### Connectivity

Serial:	2 x RS-232 bidirectional.
Ethernet:	1 x IEEE 802.3, 10/100 BASE-T.
I/O:	4 in y 4 out 24VDC

### Power supply

Tension:	80-240VAC 50-60 Hertz
----------	-----------------------



**Tubarão-SC** Rua Simeão Esmeraldino de Menezes, 400 SI.33 CEP 88704-090 **Tel.: (48) 3301.4000**

**São Paulo-SP** Rua Professor João Marinho, 193 CEP 04.007-010 **Tel.: (11) 3884.4266**

[www.lenke.com.br](http://www.lenke.com.br)

[www.lenkeautomacao.com.br](http://www.lenkeautomacao.com.br)

[comercial@lenke.com.br](mailto:comercial@lenke.com.br)